

TRAPT-58



**A high performance
compact trap**



MADE IN ITALY



valsir[®]
QUALITY FOR PLUMBING

TRAPT-58

The shallow trap for the most testing situations

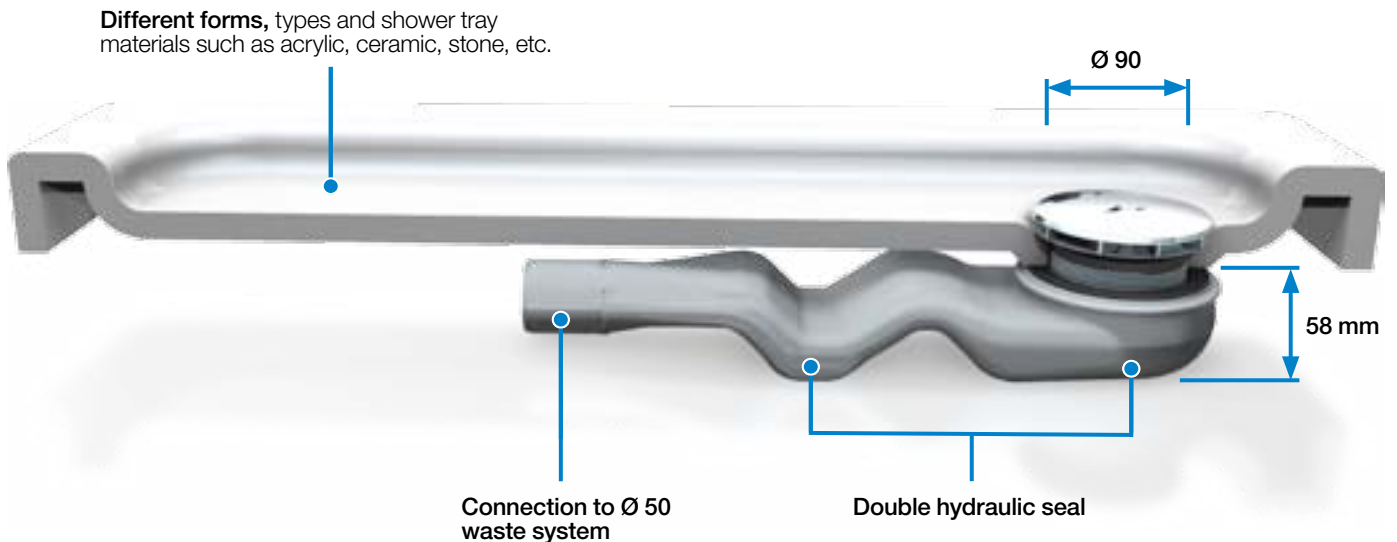


The T-58 shallow trap produced by Valsir is the ideal solution in installations where the depth destined to installation of the system is limited, for example in renovation jobs.

When using the T-58 shallow trap there's no need to create space in the floor slab to house the trap.

Solution for shower trays

Compatible with all shower trays with hole diameter of 90 mm, guarantees high performance also when used with the most modern designer showers.



Characteristics

- **Trap height just 58 mm**, including the seal.
- **Double the flow as compared with traditional products**, (in compliance with standard EN 274), the flow rate of 48 l/min allows use with high pressure shower heads.
- **High odour resistance** (700 Pa), well above that of standard requirements (400 Pa in compliance with EN 1253).
- **Double hydraulic seal.**
- **Completely accessible:** normal cleaning operations are carried out rapidly and easily.

Solution with shower sheet

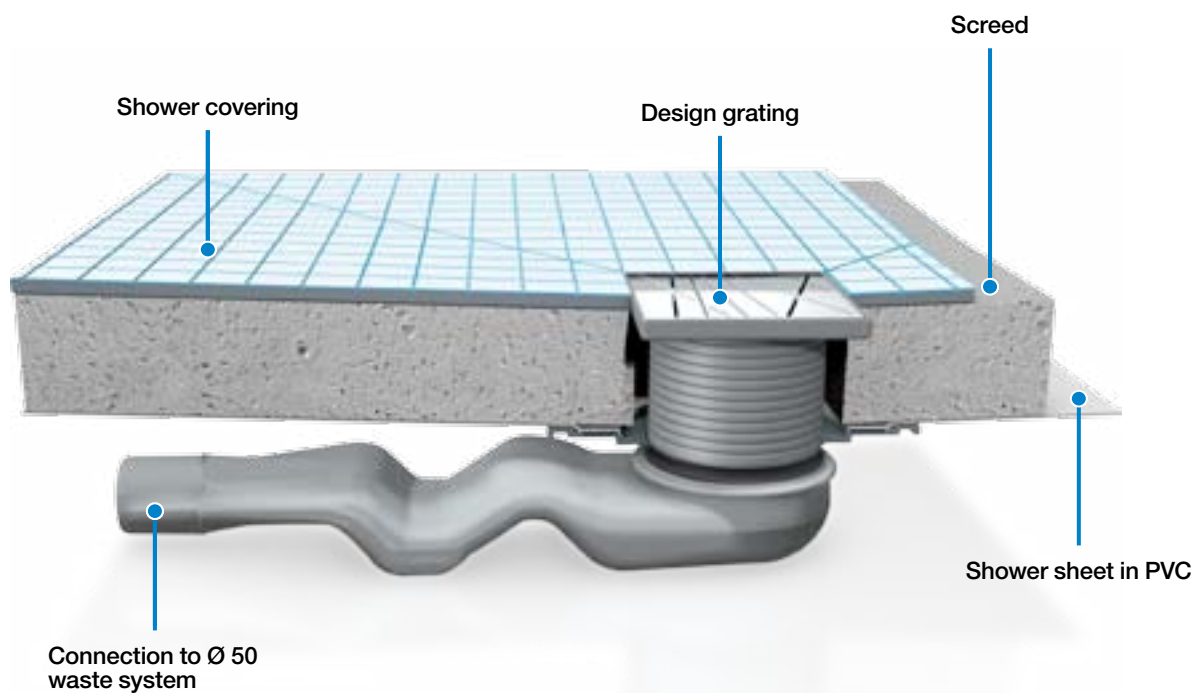
The T-58 shallow trap with shower sheet in PVC is the ideal solution for creating floor even showers, a guarantee of water tightness and seal.

The T-58 shallow trap is the **perfect technical solution** for creating showers in nursing homes, clinics, hospitals, retirement homes and in all environments **where the absence of architectural**

barriers is required to offer maximum accessibility to people with reduced mobility and wheelchair users.

Main characteristics:

- sheet availability 1200x1800 mm;
- compatibility with Design shower gratings;
- presence of height adjustable grating support for installations from 85 to 150 mm.



Compatibility

The T-58 shallow trap is compatible with main waste systems, whether they are made of HDPE polyethylene, polypropylene PP/PP3, Triplus®, Silere® or PVC.

THE VALSIR RANGE



WASTE SYSTEMS



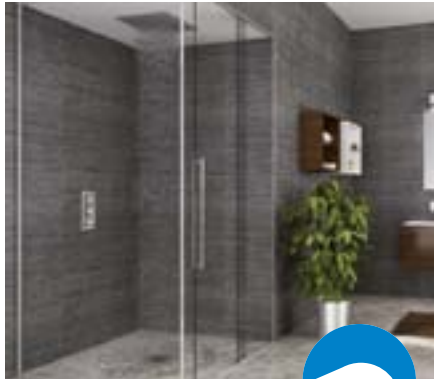
SUPPLY SYSTEMS



GAS SYSTEMS



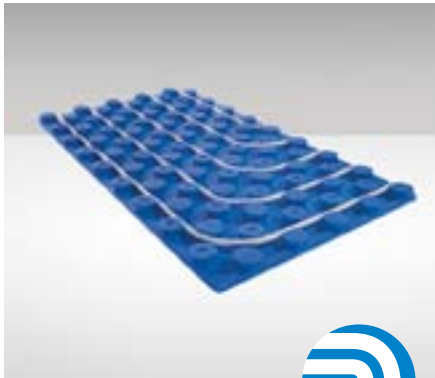
FLUSHING SYSTEMS



BATHROOM SYSTEMS



TRAPS



RADIANT SYSTEMS



DRAINAGE SYSTEMS



ACADEMY



VALSIR S.p.A.
 Località Merlaro, 2
 25078 Vestone (BS) - Italy
 Tel. +39 0365 877.011
 Fax +39 0365 81.268
 e-mail: valsir@valsir.it

www.valsir.it

MADE IN ITALY



valsir®
 QUALITY FOR PLUMBING

